

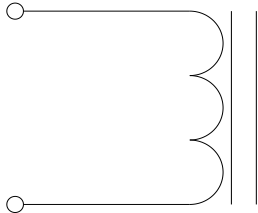
Rev	Description	By	Date
A	Released for production	AG	19-Oct-21

ELECTRICAL SPECIFICATIONS @ 25°C

L: 5μH±10% @ 100kHz, 1Vrms
 ΔL≤10% @ 90A_{dc}
 DCR: 2.5mΩ Max
 Hipot: 2kVac, 1mA Max, 5s (wdg to bracket)
 RoHS Compliant: Yes

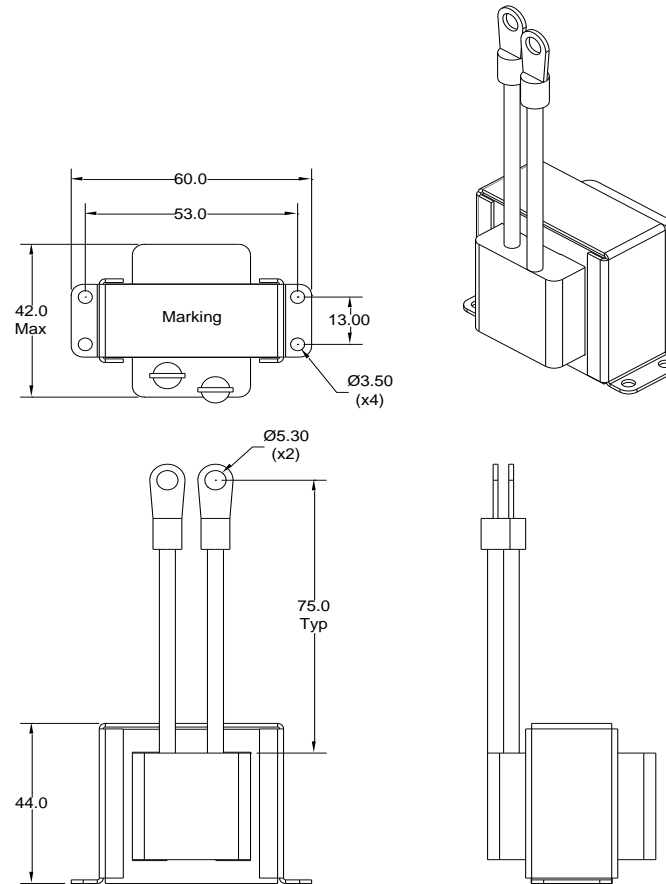
DIMENSIONS

SCHEMATIC




MARKING

MPS
 P1642B-5R0_Rev#
 Date Code



Dimensions: mm

Notice of Proprietary Property These drawings and specifications are the property of MPS and shall not be, reproduced, copied or used as the basis of manufacture of sale of apparatus without express written authorization			
Dimensions Unless otherwise specified .X ± .5mm .XX ± .25mm	DRAWN BY: CHECKED BY:	AG AY	19-Oct-21 19-Oct-21

 MPS INDUSTRIES, INC. www.mpsind.com Tel: (310) 325-1043 Fax: (310) 325-1044			
		Description Resonant Inductor	
Part Number	P1642B-5R0		REV A
WEIGHT: XX gms		SHEET: 1 OF 1	